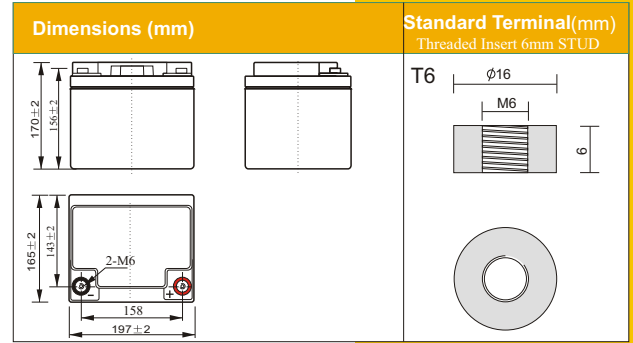
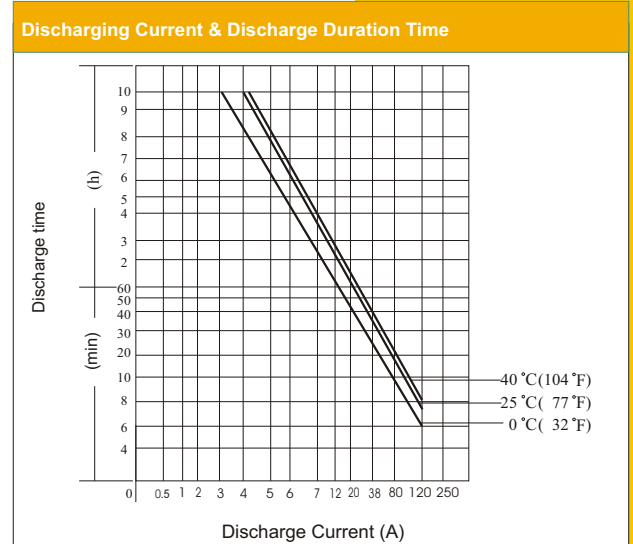




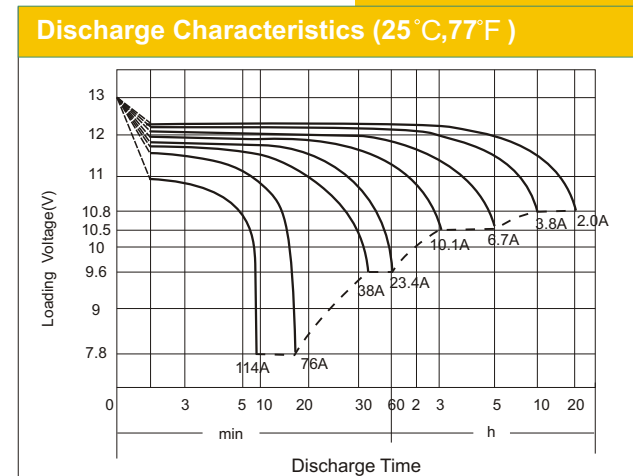
DJM1240(12V40AH)



PHYSICAL SPECIFICATION		
Nominal Voltage		12V
Nominal Capacity (10HR)		38AH
Dimension	Length	197 ± 2mm (7.76 inches)
	Width	165 ± 2mm (6.50 inches)
	Container Height	170 ± 2mm (6.69 inches)
	Total Height (with Cover)	170 ± 2mm (6.69 inches)
Weight		Approx 13.8kg (30.5lbs)
Standard Terminal		Threaded Insert 6mm STUD



ELECTRICAL SPECIFICATION					
Rated Capacity	20 hour rate (2.0 A)	40.0AH	Constant-Voltage Charge	Cycle	Initial Charging Current less than 11.4A. Voltage 14.4V~ 15.0V at 25°C (77°F) Temp. Coefficient -30mV/C
	10 hour rate (3.8 A)	38.0AH			
	5 hour rate (6.7 A)	33.5AH			
	3 hour rate (10.1 A)	30.3AH			
	1 hour rate (23.4 A)	23.4AH			
Capacity affected by Temperature	40°C (104°F)	103%	Standby	No limit on Initial Charging Current Voltage 13.5V~13.8V at 25°C (77°F) Temp. Coefficient -20mV/C	
	25°C (77°F)	100%			
	0°C (32°F)	86%			
Internal Resistance	Fully charged battery (25°C, 77°F) 10mΩ				



Constant Current (Amp) and Constant Power (Watt/Cell) Discharge Table												
Final voltage	Time	Discharge Time (Minute) to final voltage /cell										
		10	20	30	60	120	180	240	300	360	480	600
1.80V	A	67.7	44.6	36.3	21.4	12.4	9.37	7.63	6.37	5.73	4.60	3.80
25°C	W	123	82.3	68.4	41.1	24.0	18.2	14.8	12.4	11.2	9.15	7.58
1.75V	A	74.4	47.9	37.7	22.4	12.9	10.1	7.80	6.70	5.90	4.79	3.84
25°C	W	134	87.7	69.8	42.8	24.8	20.1	15.1	13.4	11.5	9.40	7.66
1.60V	A	95.0	57.0	44.9	24.7	14.3	10.9	8.66	7.24	6.28	4.98	4.04
25°C	W	161	101.5	84.6	46.1	27.2	20.9	16.6	13.9	12.2	9.72	7.95
1.80V	A	57.6	38.0	30.9	18.2	10.6	8.0	6.5	5.42	4.89	3.92	3.24
5°C	W	105	70.1	58.3	35.0	20.4	15.5	12.6	10.6	9.57	7.80	6.46
1.75V	A	63.4	40.8	32.1	19.1	11.0	8.60	6.65	5.71	5.03	4.08	3.27
5°C	W	115	74.7	59.5	36.4	21.2	17.1	12.9	11.4	9.81	8.01	6.52
1.60V	A	80.9	48.6	37.2	21.0	12.1	9.30	7.38	6.17	5.35	4.24	3.44
5°C	W	138	86.5	70.2	39.3	23.2	17.8	14.2	11.9	10.4	8.28	6.77