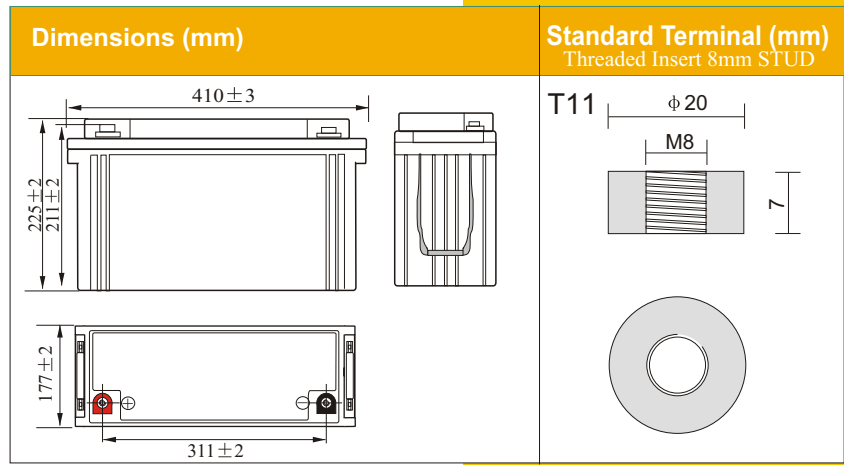




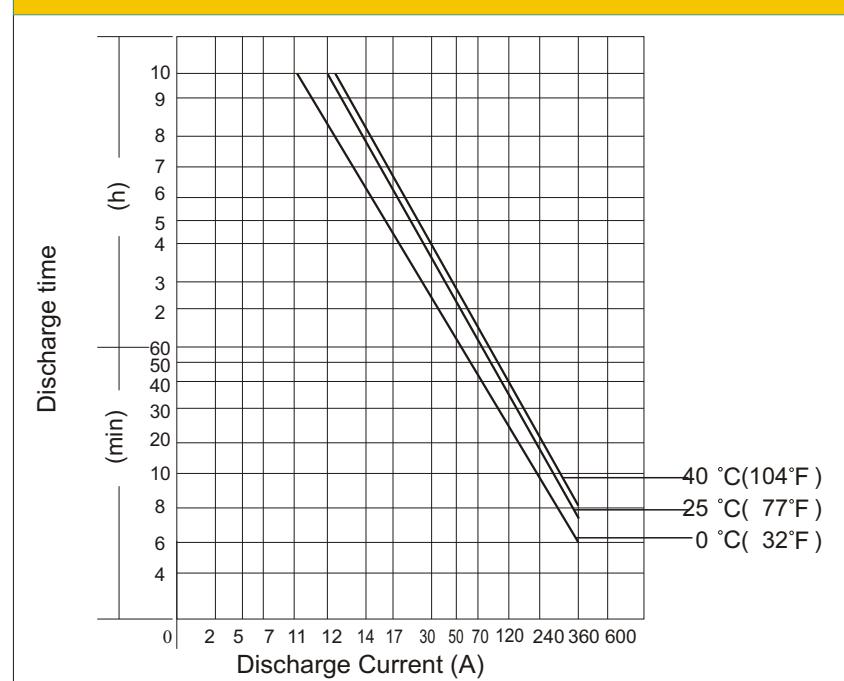
DJM12120(12V120AH)



PHYSICAL SPECIFICATION

Nominal Voltage		12V
Nominal Capacity (10HR)		124AH
Dimension	Length	410±3mm (16.14 inches)
	Width	177±2mm (6.97 inches)
	Container Height	225±2mm (8.86 inches)
	Total Height (with Cover)	225±2mm (8.86 inches)
Weight		Approx 35.5kg (78.2lbs)
Standard Terminal		Threaded Insert 8mm STUD

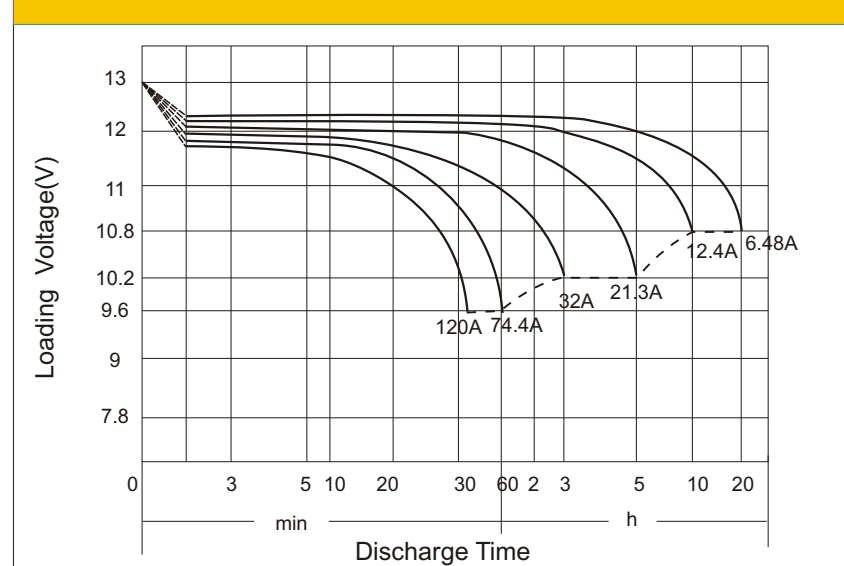
Discharging Current & Discharge Duration Time



ELECTRICAL SPECIFICATION

Rated Capacity	20 hour rate (6.48A)	129.0 AH	Constant-Charge	Cycle	Initial Charging Current less than 36A. Voltage 14.4V~ 15.0V at 25°C (77°F) Temp. Coefficient -30mV/°C
	10 hour rate (12.4A)	124.0 AH			
	5 hour rate (21.3A)	106.5 AH			
	3 hour rate (32.0A)	96.0 AH			
	1 hour rate (74.4 A)	74.4 AH			
Capacity affected by Temperature	40°C (104°F)	103%	Standby	No limit on Initial Charging Current Voltage 13.5V~13.8V at 25°C (77°F) Temp. Coefficient - 20mV/°C	
	25°C (77°F)	100%			
	0°C (32°F)	86%			
Internal Resistance	Fully charged battery (25°C, 77°F) 4.0mΩ				

Discharge Characteristics (25°C, 77°F)



Constant Current (Amp) and Constant Power (Watt/Cell) Discharge Table

Final voltage	Time	Discharge Time (Minute) to final voltage /cell										
		10	20	30	60	120	180	240	300	360	480	600
1.80V	A	221	145	118	69.8	40.6	30.6	24.2	20.8	18.3	14.8	12.4
	25°C W	403	268	223	134	78.3	59.3	47.1	40.5	35.9	29.5	24.5
1.75V	A	243	156	123	72.0	42.1	32.0	24.8	21.3	18.8	15.4	12.5
	25°C W	439	286	228	140	81.0	64.0	49.5	42.5	37.7	30.3	25.0
1.60V	A	300	176	143	80.6	46.5	35.6	27.6	23.6	20.1	16.0	13.2
	25°C W	527	331	269	150	88.8	68.3	53.0	45.5	38.9	31.3	25.9
1.80V	A	188	124	101	59.5	34.6	26.1	20.7	17.7	15.6	12.5	10.6
	5°C W	343	229	190	114	66.7	50.5	40.2	34.5	30.5	24.9	21.1
1.75V	A	207	133	105	62.2	35.9	27.5	21.1	18.2	16.1	13.1	10.7
	5°C W	374	244	194	119	69.0	54.7	40.9	36.2	31.3	25.8	21.3
1.60V	A	264	158	121	68.7	39.6	30.3	23.5	20.1	17.1	13.7	11.2
	5°C W	449	282	229	128	75.7	58.2	45.2	38.8	33.1	26.7	22.1