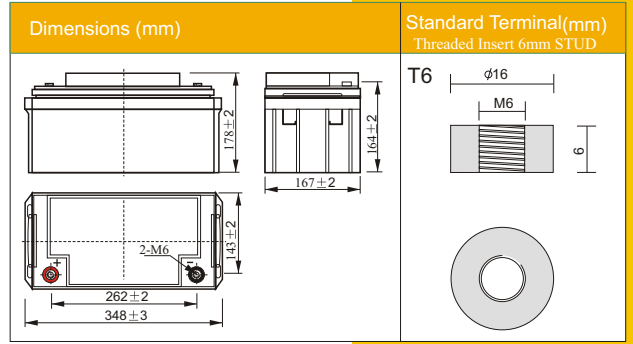
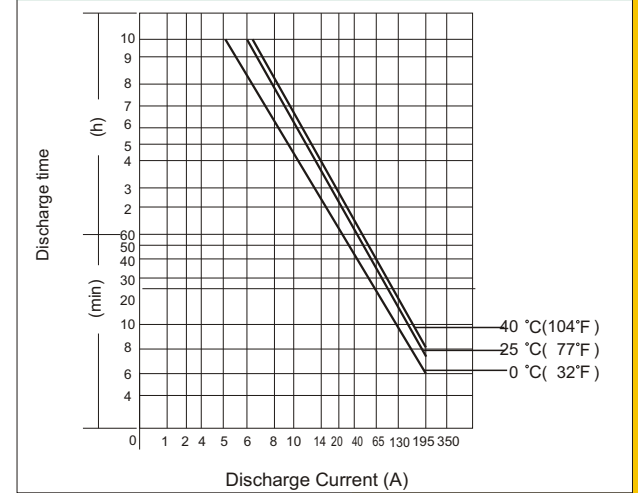




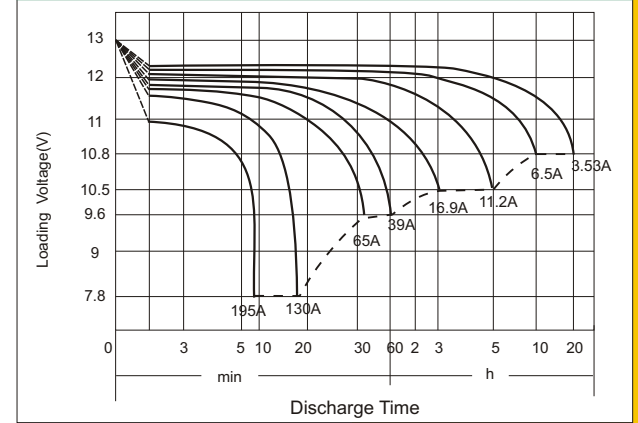
DJM1265(12V65AH)



Discharging Current & Discharge Duration Time



Discharge Characteristics (25°C, 77°F)



PHYSICAL SPECIFICATION		
Nominal Voltage	12V	
Nominal Capacity (10HR)	65AH	
Dimension	Length	348 ± 3mm (13.70 inches)
	Width	167 ± 2mm (6.57 inches)
	Container Height	178 ± 2mm (7.01 inches)
	Total Height (with Cover)	178 ± 2mm (7.01 inches)
Weight	Approx 22.2kg (48.98lbs)	
Standard Terminal	Threaded Insert 6mm STUD	

ELECTRICAL SPECIFICATION					
Rated Capacity	20 hour rate (3.53 A)	70.6AH	Constant Voltage Charge	Cycle	Initial Charging Current less than 19.5A. Voltage 14.4V~ 15.0V at 25°C (77°F) Temp. Coefficient -30mV/C
	10 hour rate (6.5 A)	65.0AH			
	5 hour rate (11.2 A)	56.0AH			
	3 hour rate (16.9 A)	50.7AH			
	1 hour rate (39.0 A)	39.0AH			
Capacity affected by Temperature	40°C (104°F)	103%	Standby	No limit on Initial Charging Current Voltage 13.5V~13.8V at 25°C (77°F) Temp. Coefficient - 20mV/C	
	25°C (77°F)	100%			
	0°C (32°F)	86%			
Internal Resistance	Fully charged battery (25°C, 77°F) 7.3mΩ				

Constant Current (Amp) and Constant Power (Watt/Cell) Discharge Table							Discharge Time (Minute) to final voltage /cell					
Final voltage	Time	10	20	30	60	120	180	240	300	360	480	600
1.80V	A	116	76.2	62.1	36.6	21.3	16.0	12.7	10.9	9.59	7.70	6.50
25°C	W	211	141	117	70.4	41.1	31.1	24.7	21.3	18.8	15.3	13.0
1.75V	A	127	81.9	64.5	38.3	22.1	16.9	13.0	11.2	9.88	8.09	6.57
25°C	W	230	150	119	73.2	42.5	33.7	25.2	22.3	19.3	15.9	13.1
1.60V	A	163	97.5	74.8	42.3	24.4	18.7	14.5	12.4	10.5	8.41	6.91
25°C	W	276	174	141	78.9	46.5	35.8	27.8	23.8	20.4	16.4	13.6
1.80V	A	98.6	65.0	52.9	31.2	18.1	13.7	10.8	9.28	8.17	6.56	5.54
5°C	W	180	120	99.7	59.9	35.0	26.5	21.0	18.1	16.0	13.1	11.0
1.75V	A	108	69.8	54.9	32.6	18.8	14.4	11.1	9.53	8.42	6.89	5.59
5°C	W	196	128	102	62.3	36.2	28.7	21.5	19.0	16.4	13.5	11.2
1.60V	A	138	83.1	63.7	36.0	20.8	15.9	12.3	10.6	8.97	7.17	5.89
5°C	W	235	148	120	67.2	39.7	30.5	23.7	20.3	17.4	14.0	11.6