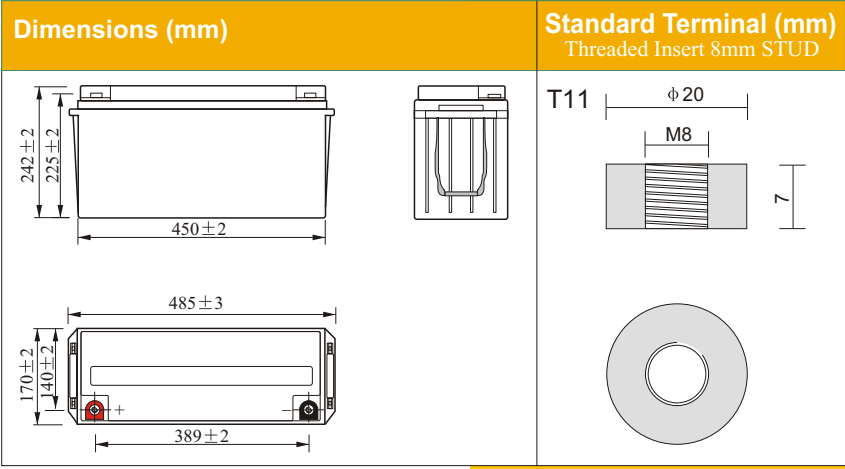
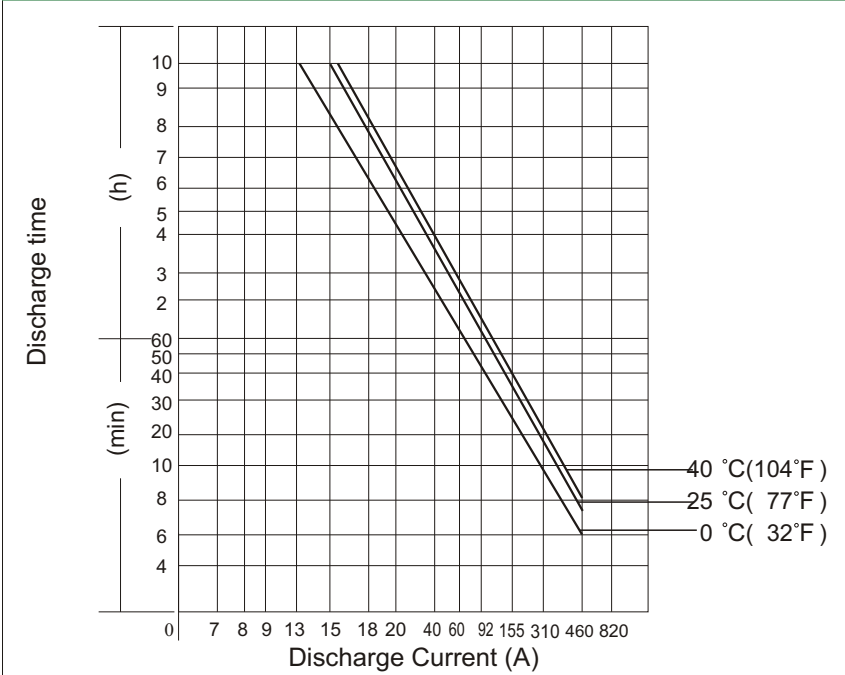




DJM12150(12V150AH)

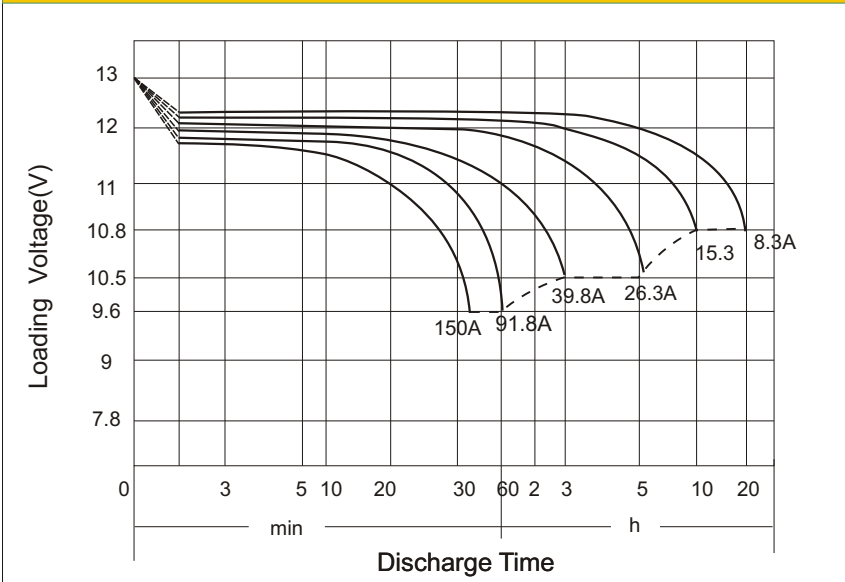


Discharging Current & Discharge Duration Time



PHYSICAL SPECIFICATION		
Nominal Voltage	12V	
Nominal Capacity (10HR)	153AH	
Dimension	Length	485±3mm (19.09 inches)
	Width	170±1mm (6.69 inches)
	Container Height	242±2mm (9.53 inches)
	Total Height (with Cover)	242±2mm (9.53 inches)
Weight	Approx 48.2kg (106.35lbs)	
Standard Terminal	Threaded Insert 11mm STUD	

Discharge Characteristics (25 °C, 77 °F)



ELECTRICAL SPECIFICATION					
Rated Capacity	20 hour rate (8.3 A)	166.0AH	Constant-Voltage Charge	Cycle	Initial Charging Current less than 45A. Voltage 14.4V~ 15.0V at 25°C (77°F) Temp. Coefficient -30mV/°C
	10 hour rate (15.3 A)	153.0AH			
	5 hour rate (26.3A)	131.5AH			
	3 hour rate (39.8A)	119.4AH			
Capacity affected by Temperature	1 hour rate (91.8A)	91.8AH	Standby	No limit on Initial Charging Current Voltage 13.5V~13.8V at 25°C (77°F) Temp. Coefficient - 20mV/°C	
	40°C (104°F)	103%			
	25°C (77°F)	100%			
Internal Resistance	0°C (32°F)	86%	Fully charged battery (25°C, 77°F) 3mΩ		

Constant Current (Amp) and Constant Power (Watt/Cell) Discharge Table											Discharge Time (Minute) to final voltage /cell	
Final voltage	Time	10	20	30	60	120	180	240	300	360	480	600
1.80V	A	272	179	146	86.2	50.1	37.7	29.9	25.6	22.6	18.2	15.3
25°C	W	497	331	276	166	96.6	73.1	58.1	50.0	44.2	36.4	30.6
1.75V	A	300	193	152	90.1	52.0	39.8	30.6	26.3	23.3	19.0	15.5
25°C	W	541	353	281	172	100	79.3	61.0	52.5	46.5	37.4	30.8
1.60V	A	363	210	176	99.5	57.4	43.9	34.0	29.2	24.8	19.8	16.3
25°C	W	650	409	332	186	110	84.3	65.4	56.1	48.0	38.7	32.0
1.80V	A	232	153	125	73.4	42.7	32.2	25.5	21.8	19.2	15.4	13.0
5°C	W	424	282	235	141	82.3	62.3	49.5	42.6	37.7	30.8	26.0
1.75V	A	255	164	129	76.7	44.3	33.9	26.1	22.4	19.8	16.2	13.2
5°C	W	461	301	240	147	85.2	67.5	50.5	44.7	38.7	31.8	26.3
1.60V	A	326	196	150	84.7	48.9	37.4	29.0	24.8	21.1	16.9	13.9
5°C	W	554	348	283	158	93.3	71.8	55.7	47.8	40.9	32.9	27.3